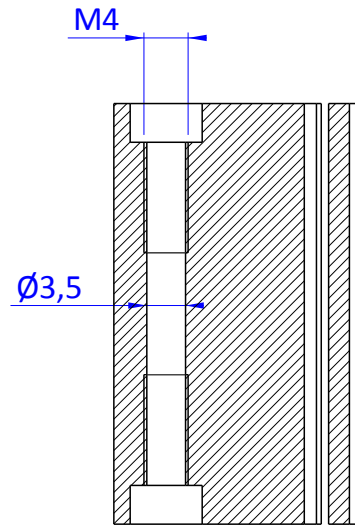
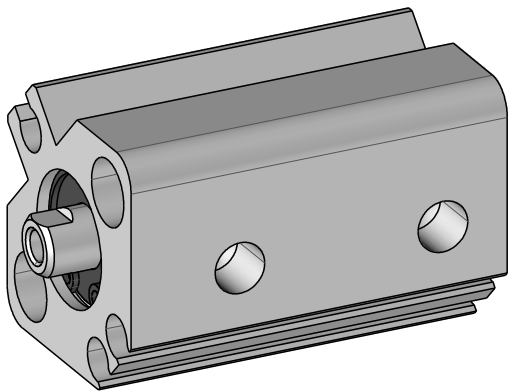
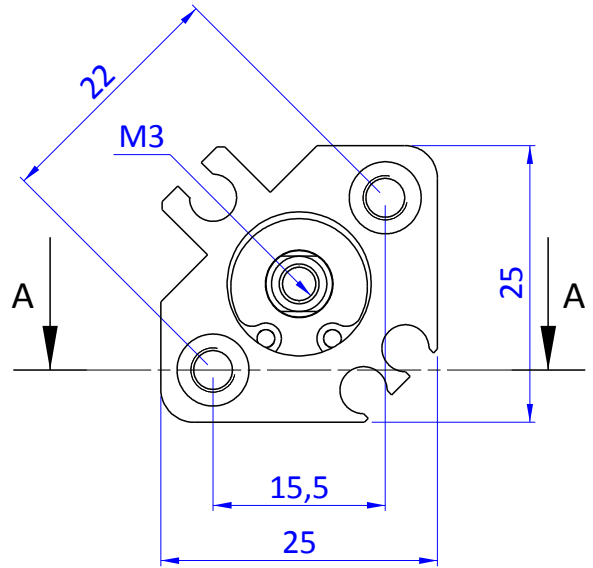
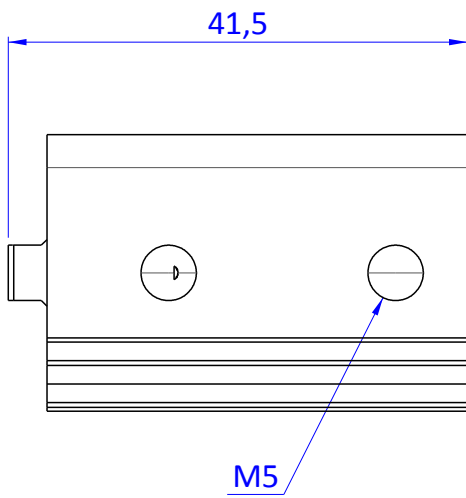

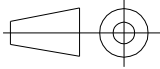


THE PROPERTY OF THE DRAWING IS ESTABLISHED BY LAW. IT IS FORBIDDEN TO PRODUCE OR SHOW IT TO THIRD PART. WITHOUT A WRITTEN AGREEMENT.



A - A

STROKE = 10 mm

<p>Format A4</p> <p>UNI 936-76</p>	 <p>FPS FPSERVICES AUTOMATION</p>			DESIGNED FROM FPS Automation	REVIEW A
	GENERAL TOLERANCE UNI - ISO 2768 CLASSE f	DESCRIPTION CA.11.18.001		DATE 04/07/2019	WEIGHT 0.054kg
				CODE CA.11.18.001	